

Features

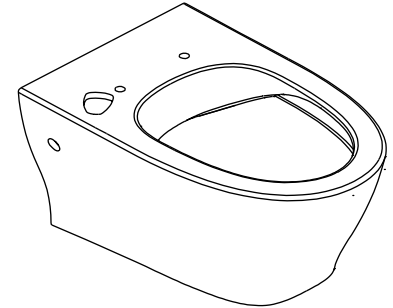
- Vitreous china
- Elongated bowl
- Wash down flushing system
- Wall mount
- 224 mm rough-in for P-trap
- 565 x 366 x 350 mm

Codes/Standards Applicable

Specified model meets or exceeds the following:

- AS 1172
- BS:EN 997
- GB 6952
- PNS 156
- MS 1552
- SNI 03-0797
- SS 574
- TIS 792
- ASME A112.19.2/CSA B45.1

WALL HUNG TOILET K-28757K-HC



Technical Information

Fixture:	
Configuration	Wall hung, elongated
Water per flush	2.6/4, 3/4.5 or 3/6 liter
Passageway	51 mm
Water area	130 x 100 mm
Water depth from rim	220 mm
Seat post hole centers	140 mm
*Designed to flush with 2.6/4, 3/4.5 or 3/6 lpf water when install with a 2.6/4, 3/4.5 or 3/6 lpf valve.	

Include Components:	
Bowl	K-28757K-HC

Installation Notes

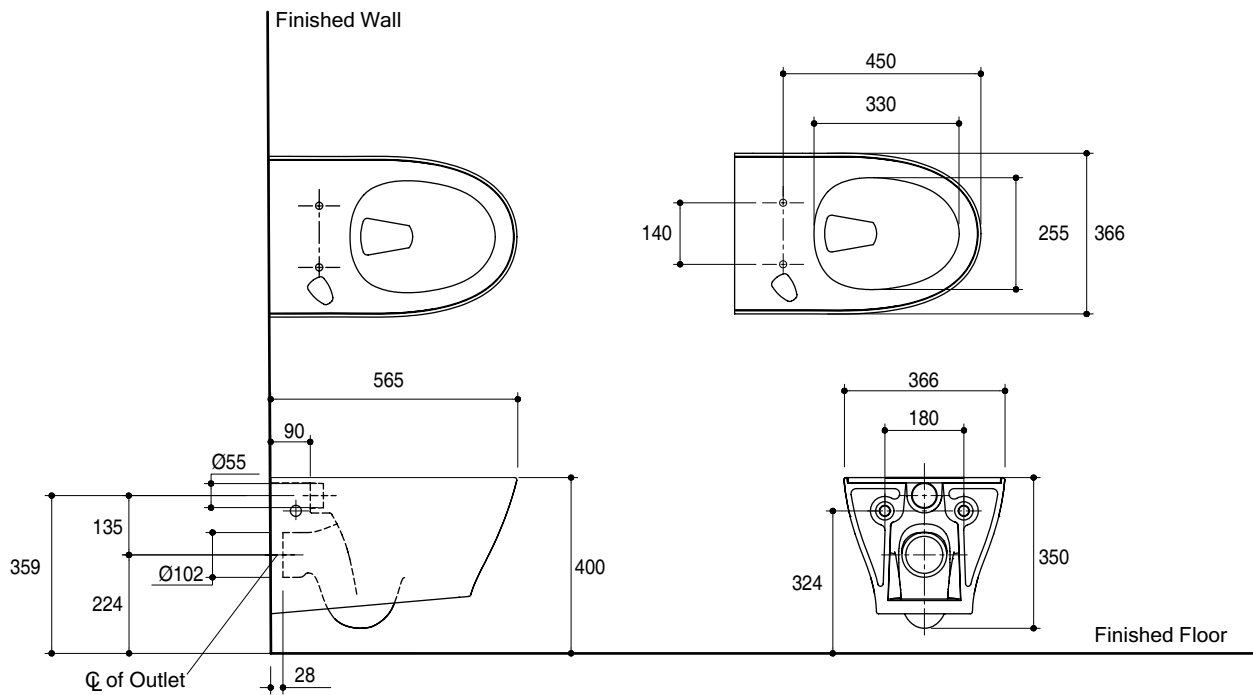
Install this product according to the installation guide.

Specified Model

Model	Description	Colors/Finishes
K-28757K-HC	Reach up wall hung toilet	0: White

Recommended Accessories		
K-6286T	In-wall tank with cover plate 3/6 lpf	
K-10611A	In-wall tank with cover plate 3/4.5 lpf	
K-10611T	In-wall tank with cover plate 3/4.5 lpf	
K-20006T-PNE	Hydro-Tower 200 pne iwt 2.6/4L	
K-20006K-PNE	Hydro-Tower 200 pne iwt 2.6/4L	
K-20009T-PNE	Hydro-Tower 300 pne iwt 2.6/4L	
K-20009K-PNE	Hydro-Tower 300 pne iwt 2.6/4L	
K-20007T-PNE	Hydro-Tower 200 pne iwt 3/4.5L	
K-20007K-PNE	Hydro-Tower 200 pne iwt 3/4.5L	
K-20010T-PNE	Hydro-Tower 300 pne iwt 3/4.5L	
K-20010K-PNE	Hydro-Tower 300 pne iwt 3/4.5L	
K-20008T-PNE	Hydro-Tower 200 pne iwt 3/6L	
K-20008K-PNE	Hydro-Tower 200 pne iwt 3/6L	
K-20011T-PNE	Hydro-Tower 300 pne iwt 3/6L	
K-20011K-PNE	Hydro-Tower 300 pne iwt 3/6L	
1138552	P-trap connector	

Dimensions are approximate.
Unit: mm



Note: The recommended dimension for installation can be adjusted according to user preferences and layout
Kohler Co. reserves the right to make changes in product characteristics, packaging, or availability at anytime without notice

Product Diagram